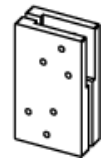
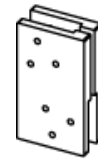
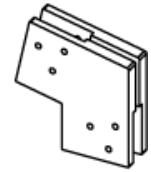
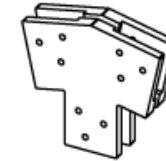
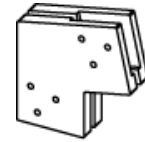


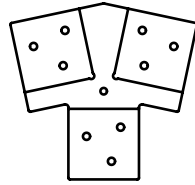
M150L

Order a free assembly
project at finha.net

FINHA

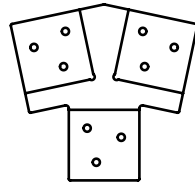


M150L-R



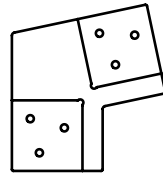
1 pcs

M150L-L



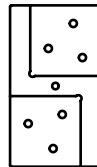
1 pcs

W150L-2



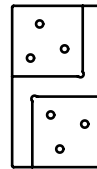
4 pcs

N150-R



2 pcs

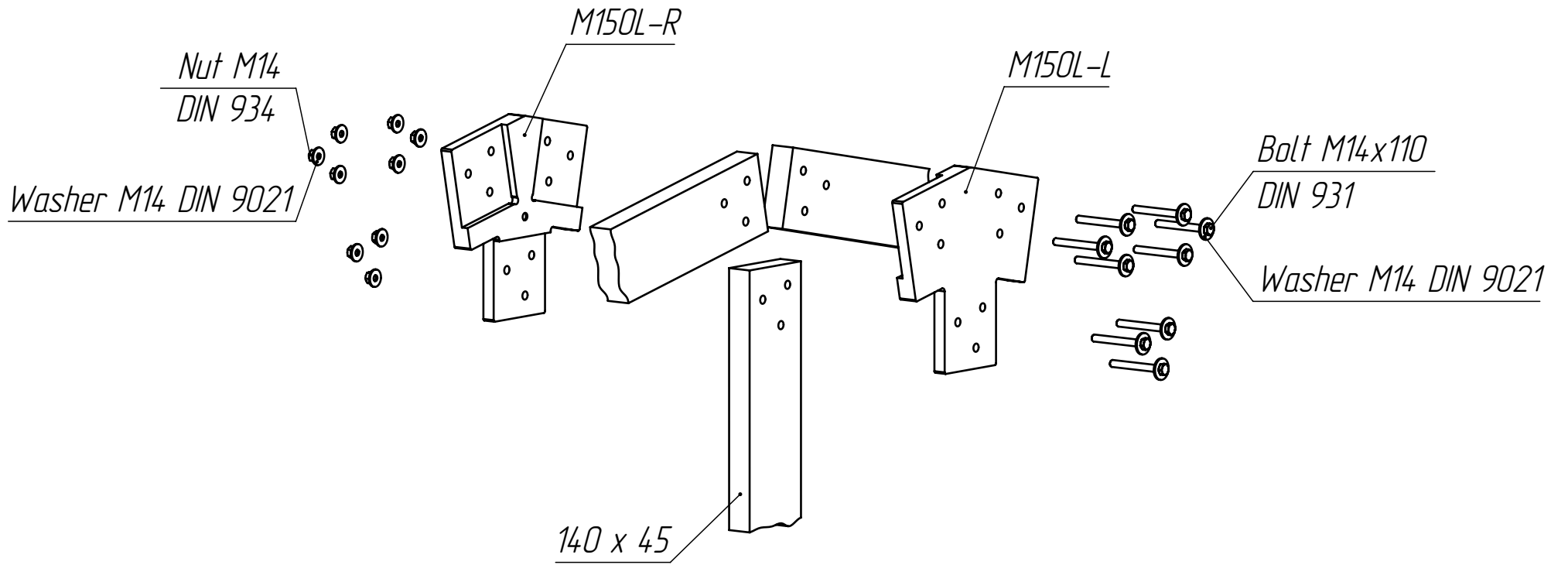
N150-L

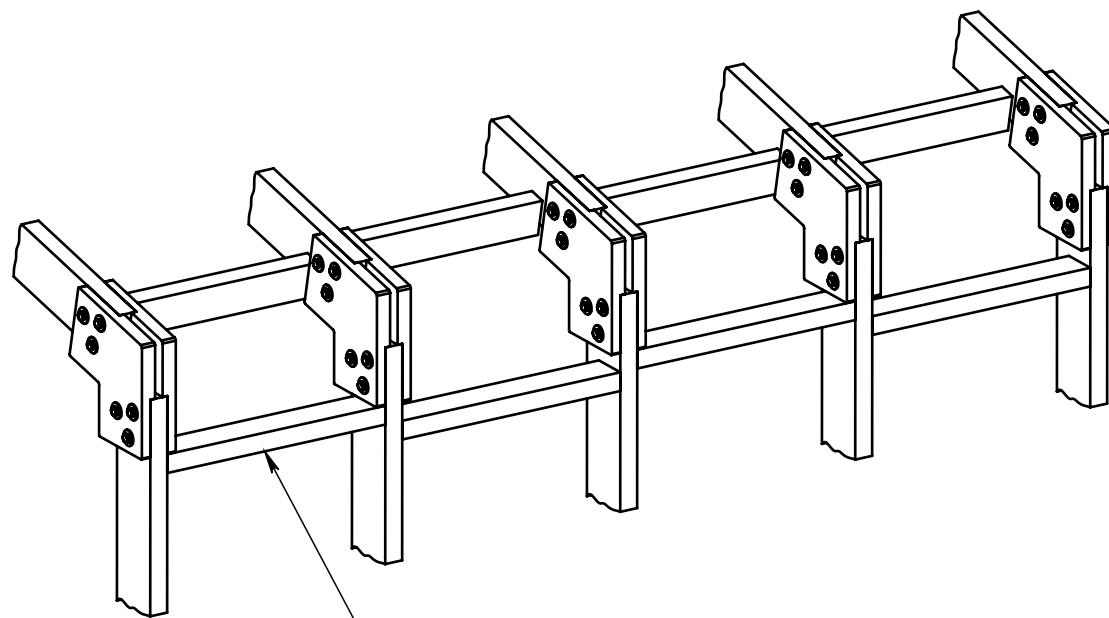


2 pcs

Fasteners for assembling one M150L

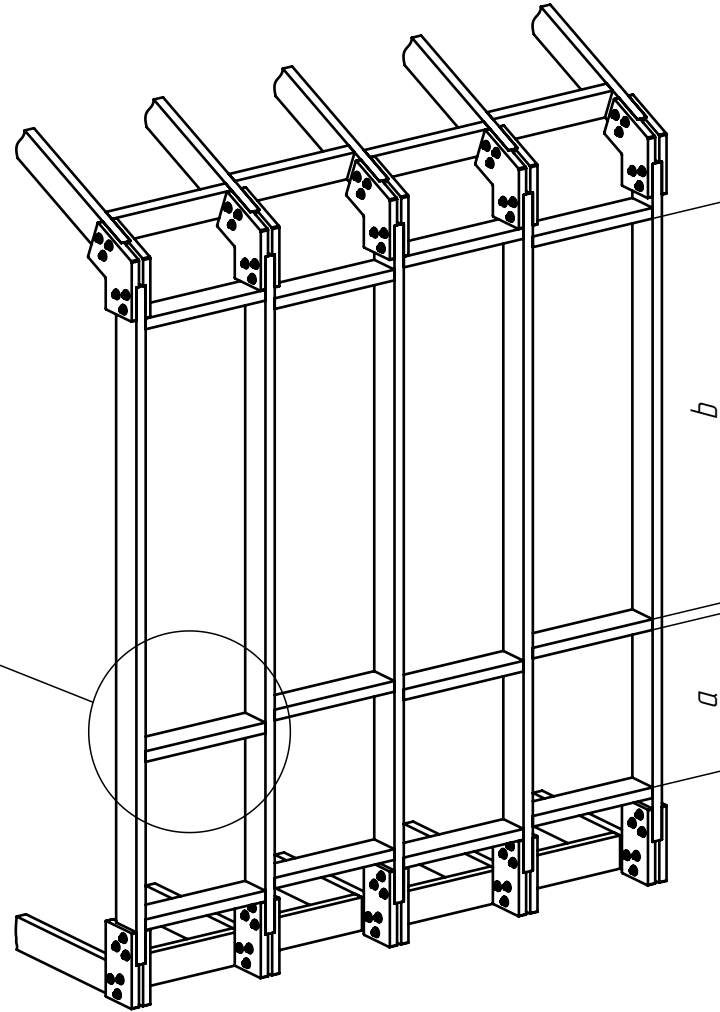
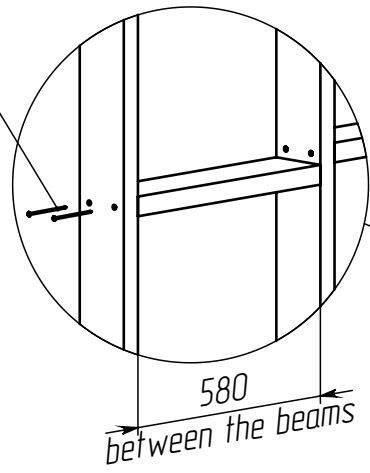
Bolt M14x110 DIN 931	33 pcs
Washer M14 DIN 9021	66 pcs
Nut M14 DIN 934	33 pcs





The first row of spacers is close to the connectors

Screw 4,8x120
DIN 7982

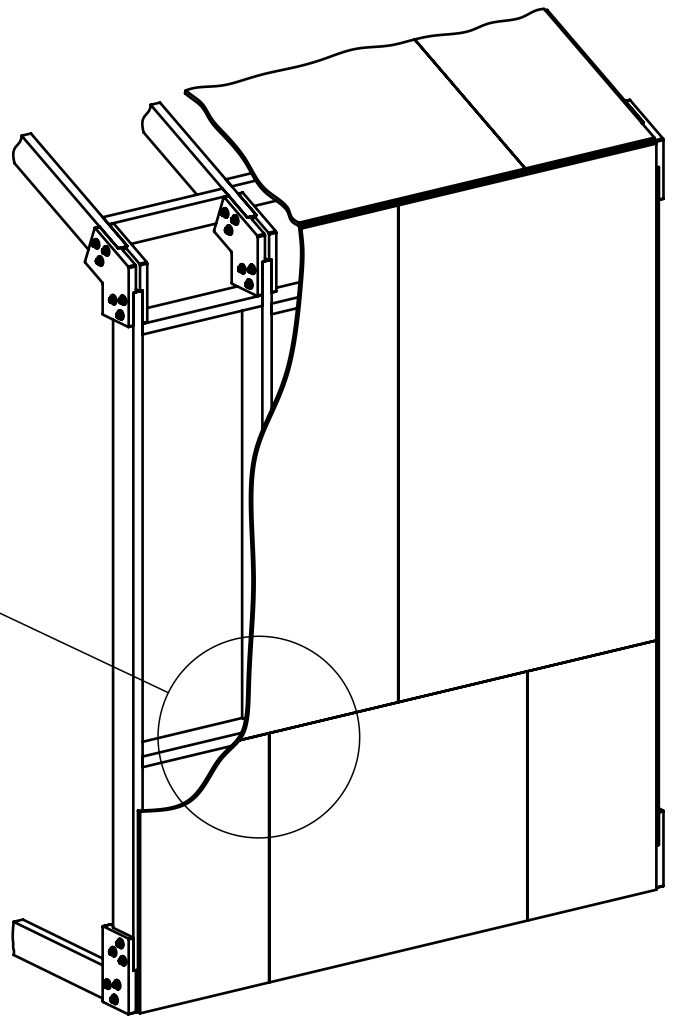
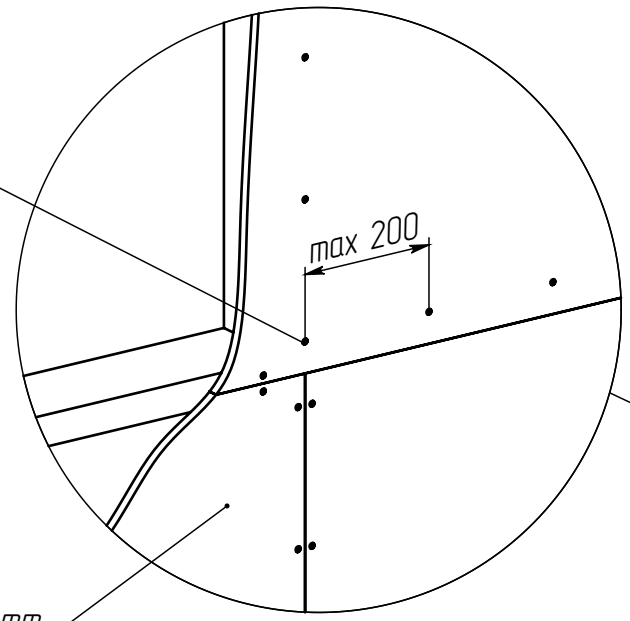


$$(a+b)/2 \leq 1200 \text{ mm}$$

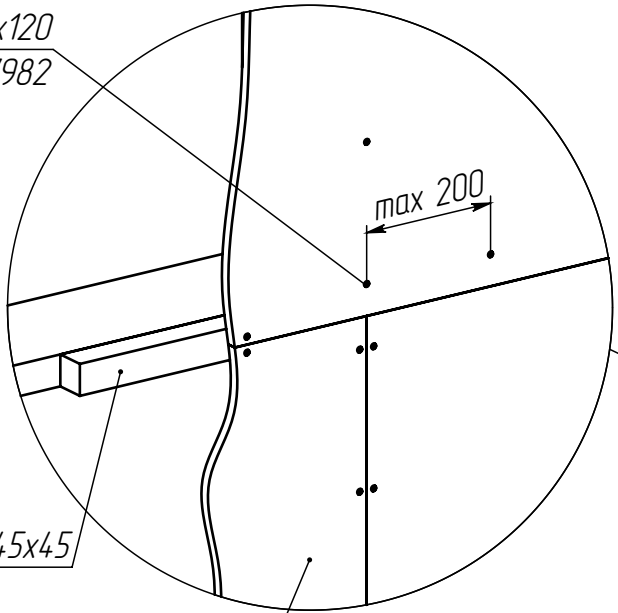
*Screw 4,8x70
DIN 7982*

max 200

OSB-3, thick 15 mm



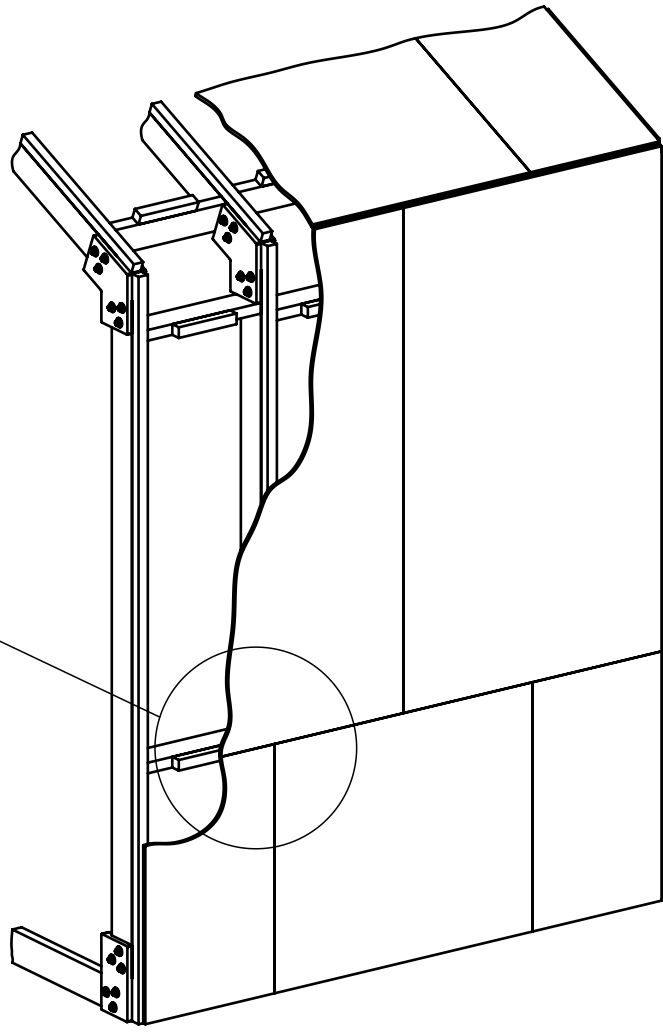
*Screw 4,8x120
DIN 7982*



max 200

Timber 45x45

OSB-3, thick 15 mm



Attention!

Please be sure to read this section before assembly!

For work at a height, use only specialized auxiliary equipment. Be sure to use a construction helmet, insurance and assistants. If you are not sure of your abilities, recruit specialists for installation.

Remember, overturning of unsecured structures can cause serious injury or even death.

Be careful to prevent collapse. Pay special attention to assembling the first arches of the frame - use assistants and additional supports, temporary sheathing and jibs.

Follow the instructions strictly. During the assembly process, immediately fix the frame beams in the connectors with bolts and nuts. Don't forget to attach the frame to the base.

The maximum span width for any point on planet Earth is 4.8 m.

To give the design strength, it is necessary to cover the frame according to the instructions! Operation of the frame without covering is prohibited!