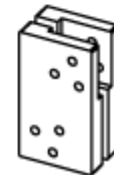
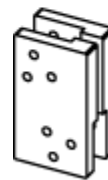
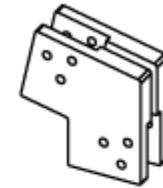
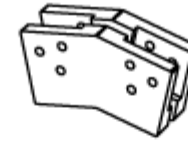
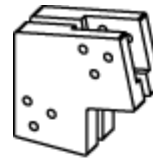


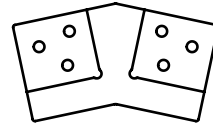
W100L

Order a free assembly
project at finha.net

FINHA

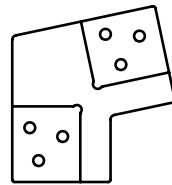


W100L-1



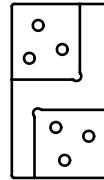
2 pcs

W100L-2



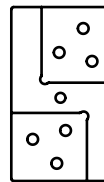
4 pcs

N100-R



2 pcs

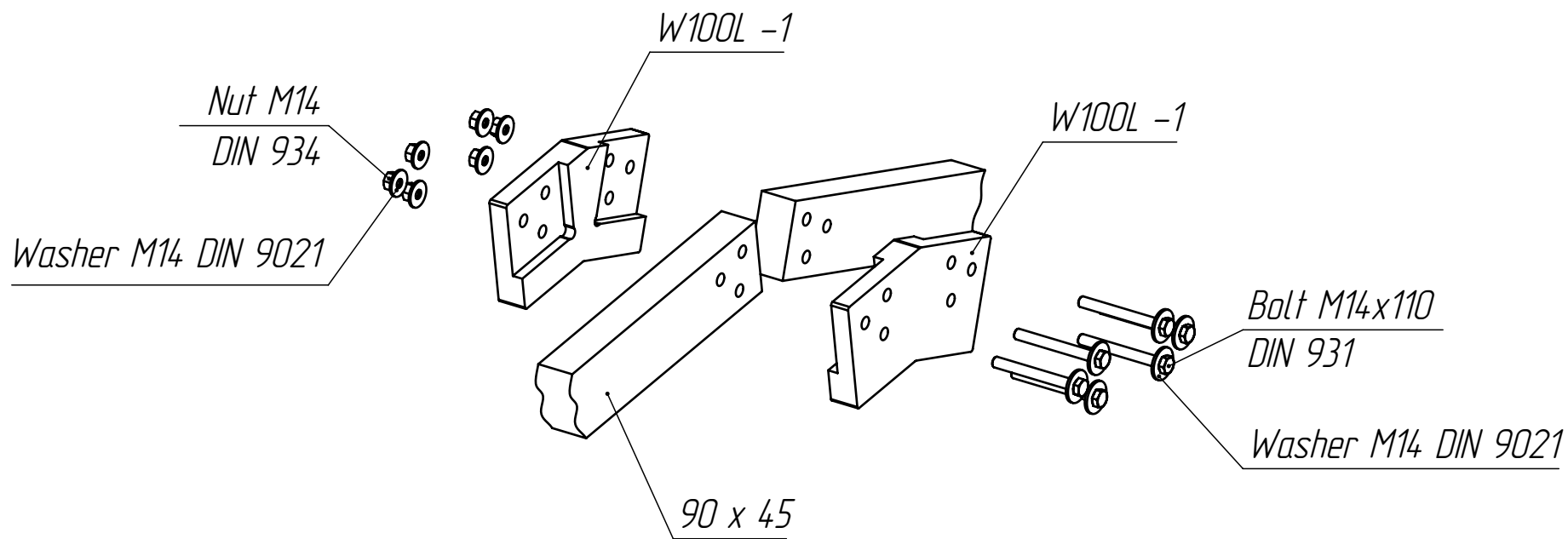
N100-L

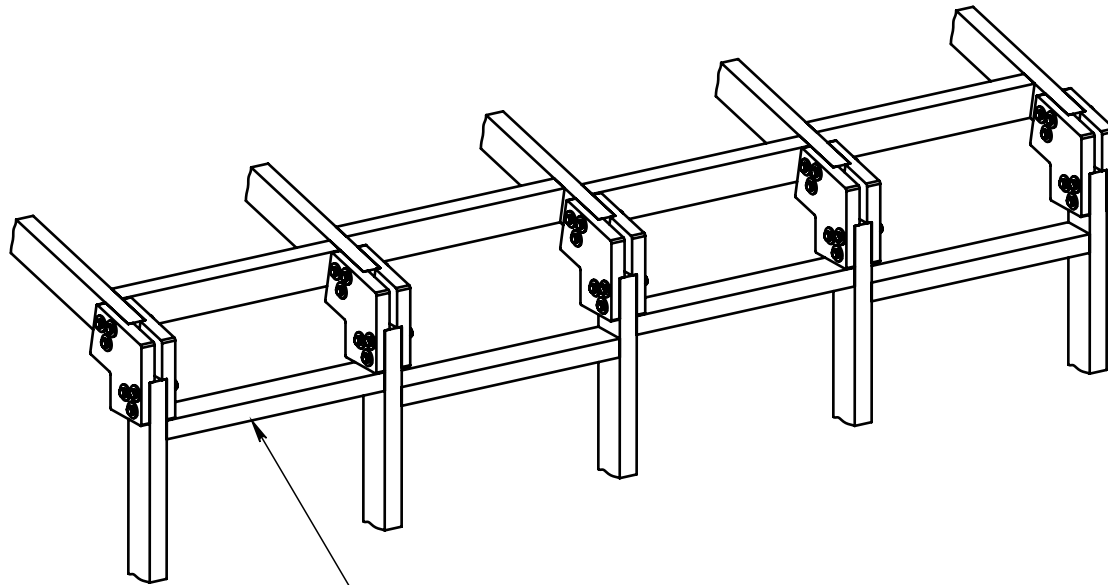


2 pcs

Fasteners for assembling one V100

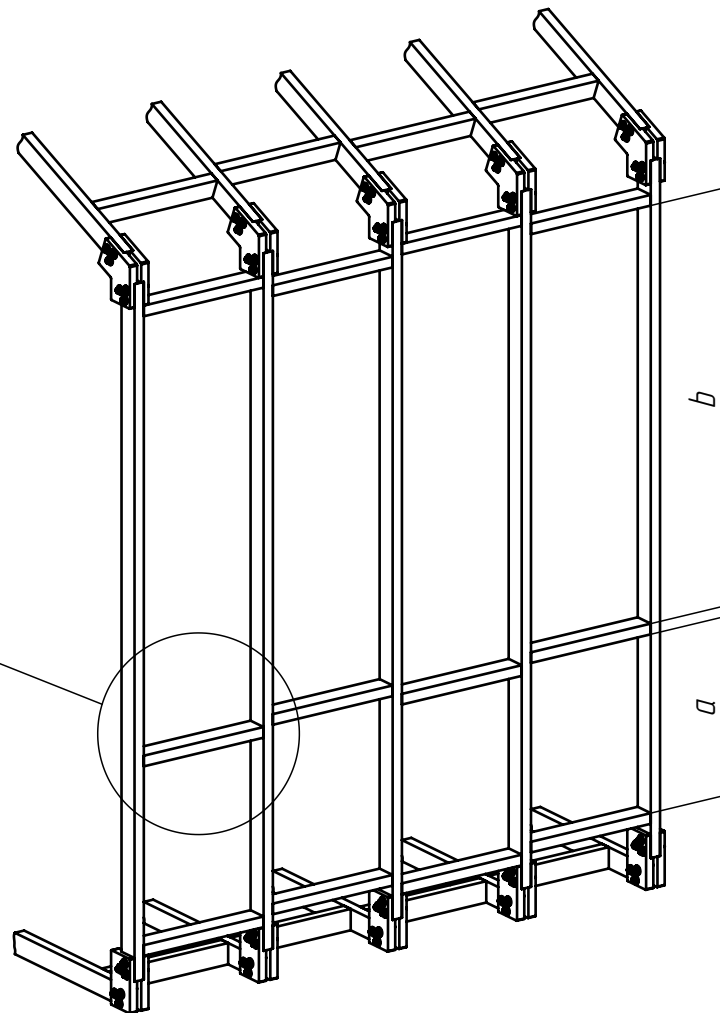
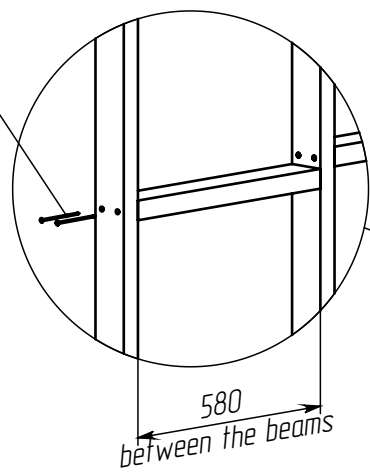
Bolt M14x110 DIN 931	30 pcs
Washer M14 DIN 9021	60 pcs
Nut M14 DIN 934	30 pcs





The first row of spacers is close to the connectors

Screw 4,8x120
DIN 7982



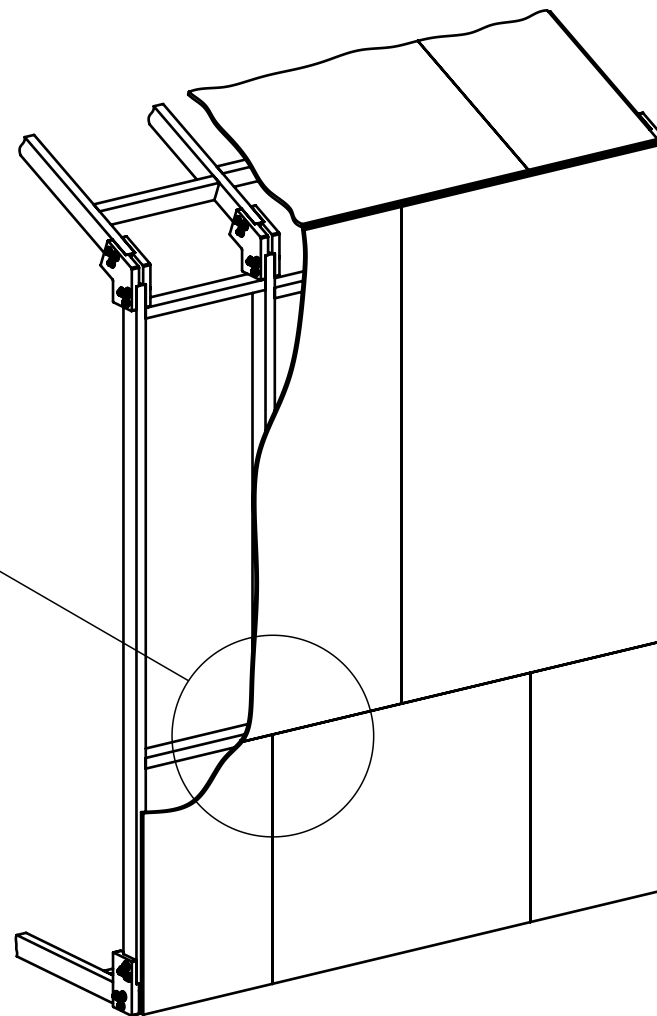
$$(a+b)/2 < 1200 \text{ mm}$$

Screw 4,8x70

DIN 7982

max 200

OSB-3, thick 15 mm

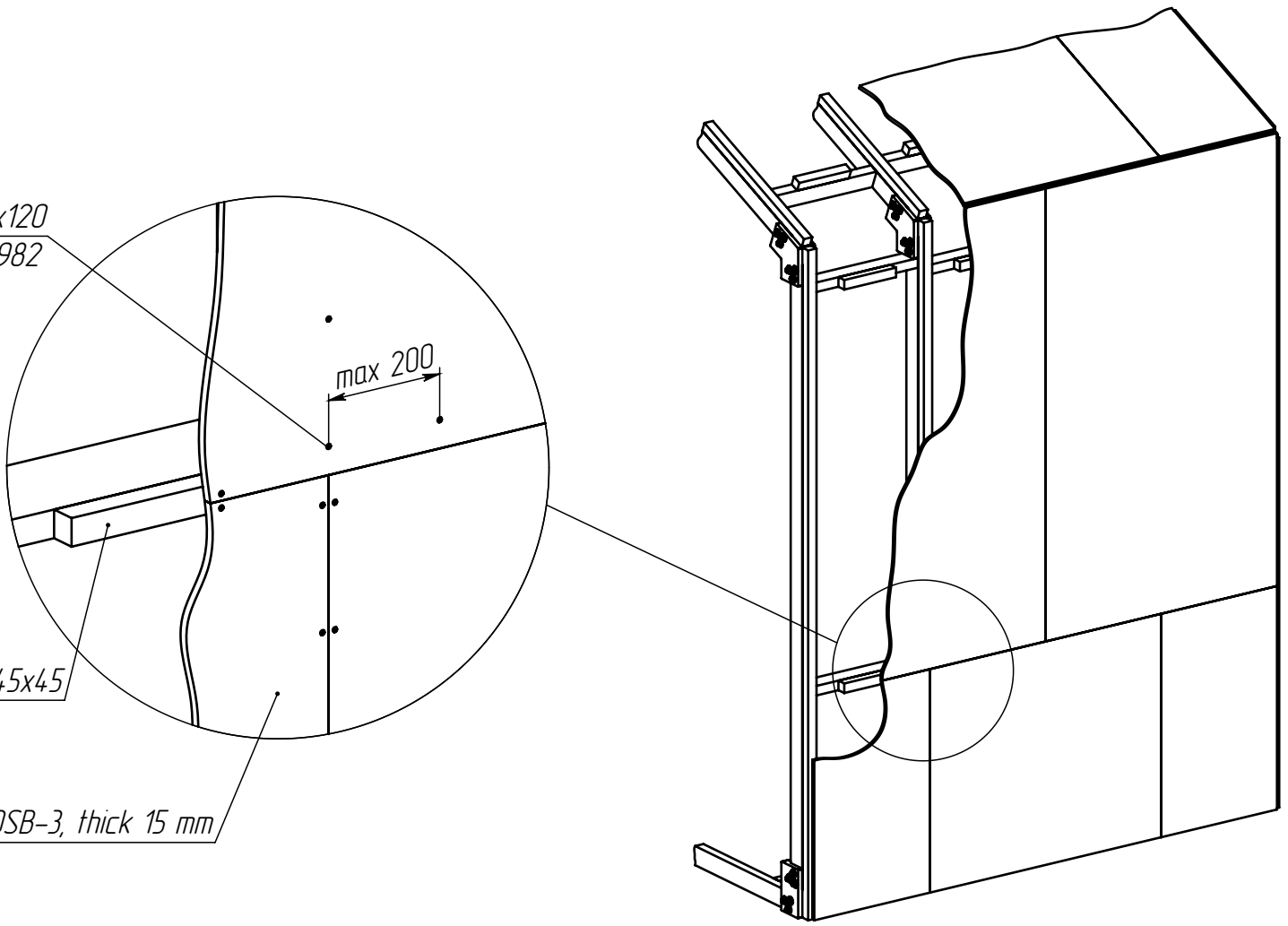


Screw 4,8x120
DIN 7982

Timber 45x45

OSB-3, thick 15 mm

max 200



Attention!

Please be sure to read this section before assembly!

For work at a height, use only specialized auxiliary equipment. Be sure to use a construction helmet, insurance and assistants. If you are not sure of your abilities, recruit specialists for installation.

Remember, overturning of unsecured structures can cause serious injury or even death.

Be careful to prevent collapse. Pay special attention to assembling the first arches of the frame - use assistants and additional supports, temporary sheathing and jibs.

Follow the instructions strictly. During the assembly process, immediately fix the frame beams in the connectors with bolts and nuts. Don't forget to attach the frame to the base.

The maximum span width for any point on planet Earth is 2.4 m.

To give the design strength, it is necessary to cover the frame according to the instructions! Operation of the frame without covering is prohibited!